

ELETTROPOMPE CENTRIFUGHE PER PISCINA SERIE PRO E IS

CENTRIFUGAL SWIMMING POOL PUMPS IS & PRO SERIES



NOVITÀ
NEW



GENERALITÀ

Features

Elettropompe autoadescanti centrifughe per piscina. All'interno si trova il cestino pre-filtro in polipropilene facilmente estraibile e con un'ampia superficie di filtraggio. Attacchi Gas 2".

Self priming centrifugal pumps for swimming pool, Suitable for swimming pools, filtering plants. The polypropylene pre filter housed inside has a wide filtering surface and it's easy changeable gas connection 2".

MATERIALI

Materials

- Corpo pompa. Monoblocco, polipropilene al 30% di fibra di vetro
- Giranti: Noryl® al 30% di fibra di vetro
- Tenuta meccanica: ceramica grafite
- Albero motore: AISI 420
- Pump casing. monobloc polypropylene 30% fiberglass
- Impellers: Noryl® 30% fiberglass
- Mechanical seal. Ceramic graphite
- Motor shaft: AISI 420 stainless steel

MOTORE

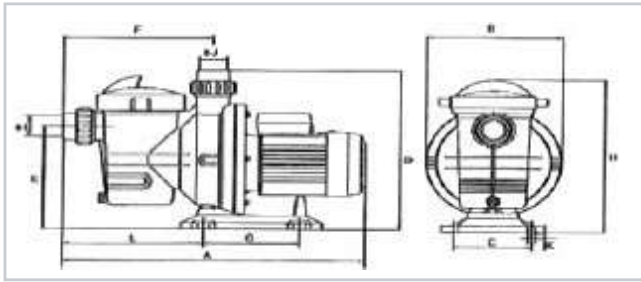
Motor

- Motore chiuso autoventilato
- Grado di protezione IP55
- Isolamento classe F
- Alimentazione monofase 230V-50Hz con condensatore inserito in quadro, 380V-50Hz protettore termico incorporato
- Closed self ventilated motor
- Protection: IP55
- Insulation class F
- Single-phase 230V-50Hz with capacitor inserted into the panel three-phase 380V-50Hz with thermal protector inside

LIMITI DI IMPIEGO

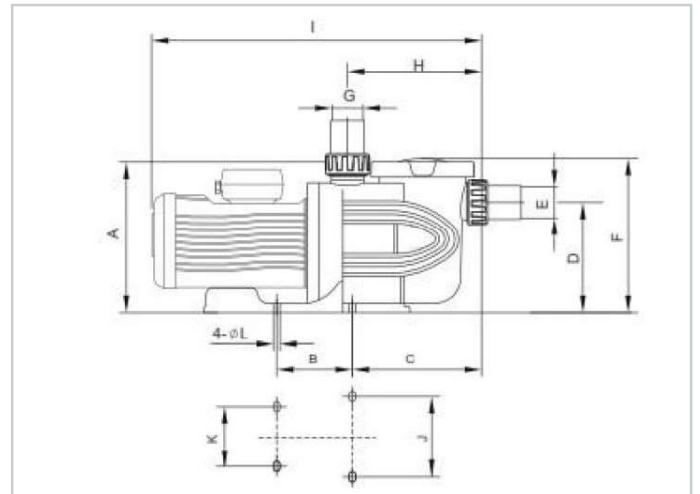
Operating conditions

- Temperatura liquido pompato fino a 40°C
- Pumped liquid temperature: 40°C max



| Articolo Art. | | Potenza Power | | Bocche Bores | | Prestazioni Performances | |
|------------------|---------|------------------|------|------------------|---------------------|-----------------------------|----------|
| 230V | 380V | hp | Kw | Aspir Suction | Mandata Delivery | Q (m³h) | H (M) |
| PR050 | PR050T | 0.5 | 0.37 | Ø 50 | Ø 50 | 5-13 | 12-7 |
| PR075 | PR075T | 0.75 | 0.55 | Ø 50 | Ø 50 | 5-16 | 15-8 |
| PR0100 | PR0100T | 1 | 0.75 | Ø 50 | Ø 50 | 5-18 | 16-8 |
| PR0150 | PR0150T | 1.5 | 1.1 | Ø 50 | Ø 50 | 5-20 | 18-9 |

| ARTICOLO Art. | Dimensioni mm Dimensions mm | | | | | | | | | | | |
|------------------|--------------------------------|-----|-----|-----|-----|-----|-----|-----|-----|------|-----|-------|
| | A | B | C | D | E | F | G | H | L | I | J | K |
| PR050 | 550 | 238 | 160 | 345 | 225 | 262 | 170 | 330 | 205 | Ø 50 | Ø50 | 4-Ø10 |
| PR075 | 550 | 238 | 160 | 345 | 225 | 262 | 170 | 330 | 205 | Ø 50 | Ø50 | 4-Ø10 |
| PR0100 | 550 | 238 | 160 | 345 | 225 | 262 | 170 | 330 | 205 | Ø 50 | Ø50 | 4-Ø10 |
| PR0150 | 570 | 238 | 160 | 345 | 225 | 262 | 170 | 330 | 205 | Ø 50 | Ø50 | 4-Ø10 |



FORNIBILI ANCHE TRIFASI. IN CASO DI ORDINE AGGIUNGERE UNA T DOPO IL CODICE
ON REQUEST CAN BE SUPPLIED THREE-PHASE PUMP. PLEASE ADD A "T" AFTER THE CODE

| Articolo Art. Monofase Single-phase 1 PH | HP | KW | Amp. Ass. Abs. amp. | Q = PORTATA / Capacity | | | | | | | | | | |
|--|------|------|------------------------|--|----|------|-----|------|------|------|-----|-----|------|--|
| | | | | m³/h | 0 | 6 | 12 | 18 | 24 | 30 | 39 | 48 | 60 | |
| | | | | l/min | 0 | 100 | 200 | 300 | 400 | 500 | 650 | 800 | 1000 | |
| | | | | H = PREVALENZA MANOMETRICA TOTALE IN M. C.A. / Total head in meters w.c. | | | | | | | | | | |
| IS50 | 0.5 | 0.37 | 3.1 | 1.2 | 11 | 9.5 | 7 | 3.5 | | | | | | |
| IS75 | 0.75 | 0.5 | 4.2 | 1.6 | 14 | 13 | 11 | 6 | 3 | | | | | |
| IS100 | 1 | 0.75 | 5.3 | 2.0 | 15 | 14 | 12 | 7 | 4 | | | | | |
| IS150 | 1.5 | 1.1 | 7.2 | 3.0 | 17 | 16 | 14 | 10 | 6 | 2 | | | | |
| IS200 | 2 | 1.5 | 9.4 | 3.7 | 18 | 17 | 15 | 12 | 9 | 6 | | | | |
| IS300 | 3 | 2.2 | 13.0 | 4.8 | 20 | 19 | 18 | 17 | 14 | 11 | 4 | | | |
| IS300HH | 3 | 2.2 | 12.5 | 3.0 | 24 | 23 | 22 | 20 | 17 | 15 | 8 | | | |
| IS400HQ | 4 | 3 | - | 6.4 | 20 | 19.5 | 19 | 18.5 | 17.5 | 16.5 | 13 | 11 | 6 | |

| Articolo Art. | Dimensioni mm Dimensions mm | | | | | | | | | | | |
|------------------|--------------------------------|-----|-----|-----|--------------|-----|--------------|-----|-----|-----|-----|------|
| | A | B | C | D | E | F | G | H | I | J | K | L |
| IS50 | 266 | 134 | 229 | 195 | 2" G-Ø63 | 273 | 2" G-Ø63 | 238 | 595 | 190 | 154 | 11.5 |
| IS75 | 266 | 134 | 229 | 195 | 2" G-Ø63 | 273 | 2" G-Ø63 | 238 | 595 | 190 | 154 | 11.5 |
| IS100 | 266 | 134 | 229 | 195 | 2" G-Ø63 | 273 | 2" G-Ø63 | 238 | 605 | 190 | 154 | 11.5 |
| IS150 | 266 | 134 | 229 | 195 | 2" G-Ø63 | 273 | 2" G-Ø63 | 238 | 605 | 190 | 154 | 11.5 |
| IS200 | 266 | 134 | 229 | 195 | 2" G-Ø63 | 273 | 2" G-Ø63 | 238 | 605 | 190 | 154 | 11.5 |
| IS300 | 266 | 134 | 229 | 195 | 2" G-Ø63 | 273 | 2" G-Ø63 | 298 | 640 | 190 | 154 | 11.5 |
| IS300HH | 358 | 267 | 348 | 232 | 2" 1/2 G-Ø90 | 358 | 2" 1/2 G-Ø90 | 379 | 656 | 168 | 166 | 11.5 |
| IS400HQ | 358 | 267 | 348 | 232 | 2" 1/2 G-Ø90 | 358 | 2" 1/2 G-Ø90 | 379 | 708 | 168 | 166 | 11.5 |